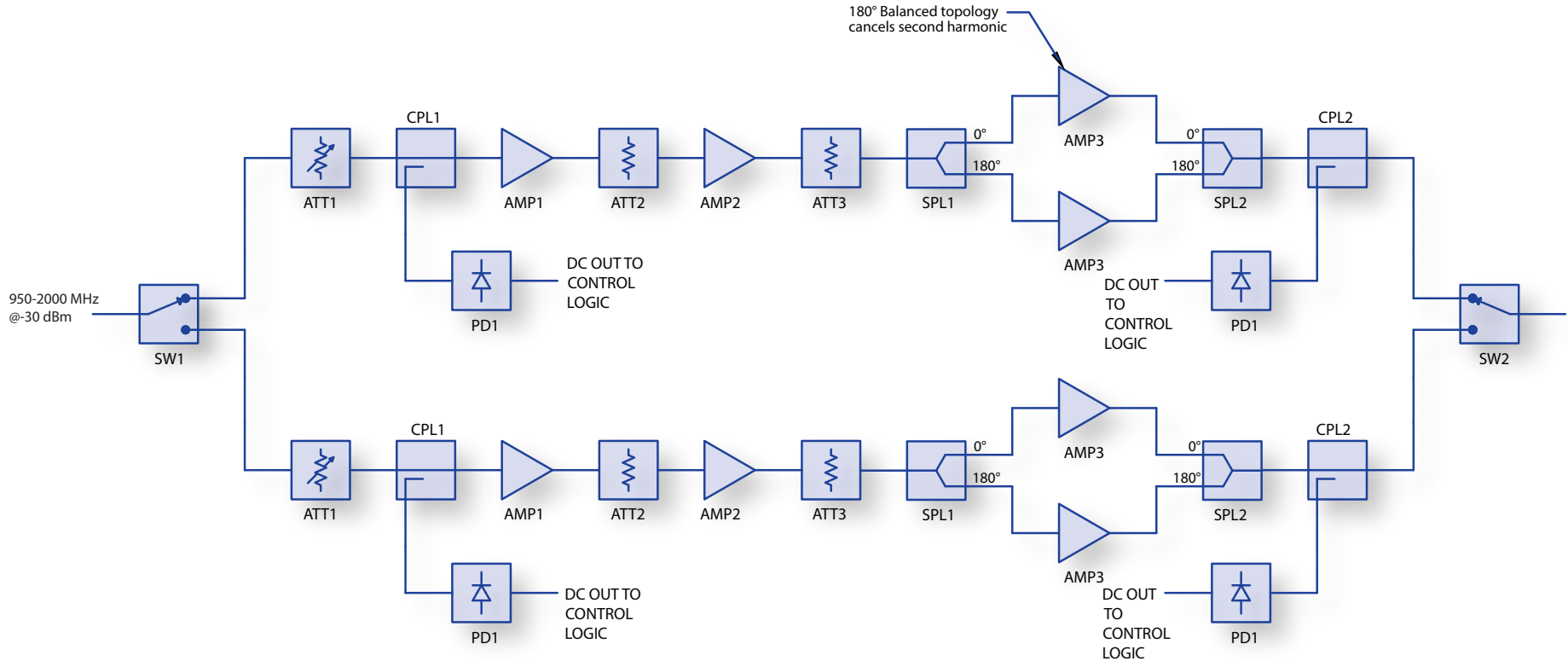


REDUNDANT L-BAND AMPLIFIER



Schematic Part No.	Sample Mini-Circuits Model Families
AMP1	ZX60 , ZFL , ZJL , ZKL
AMP2, AMP3	ZX60 , ZHL
ATT1	ZX76
ATT2, ATT3	VAT , FW , BW
CPL1, CPL2	ZFDC , ZNDC , ZHDC , ZADC
PD1	ZX47
SPL1, SPL2	ZAPDJ , ZAPD , ZN2PD , ZFSC
SW1, SW2	MSP2T , MSP2TA